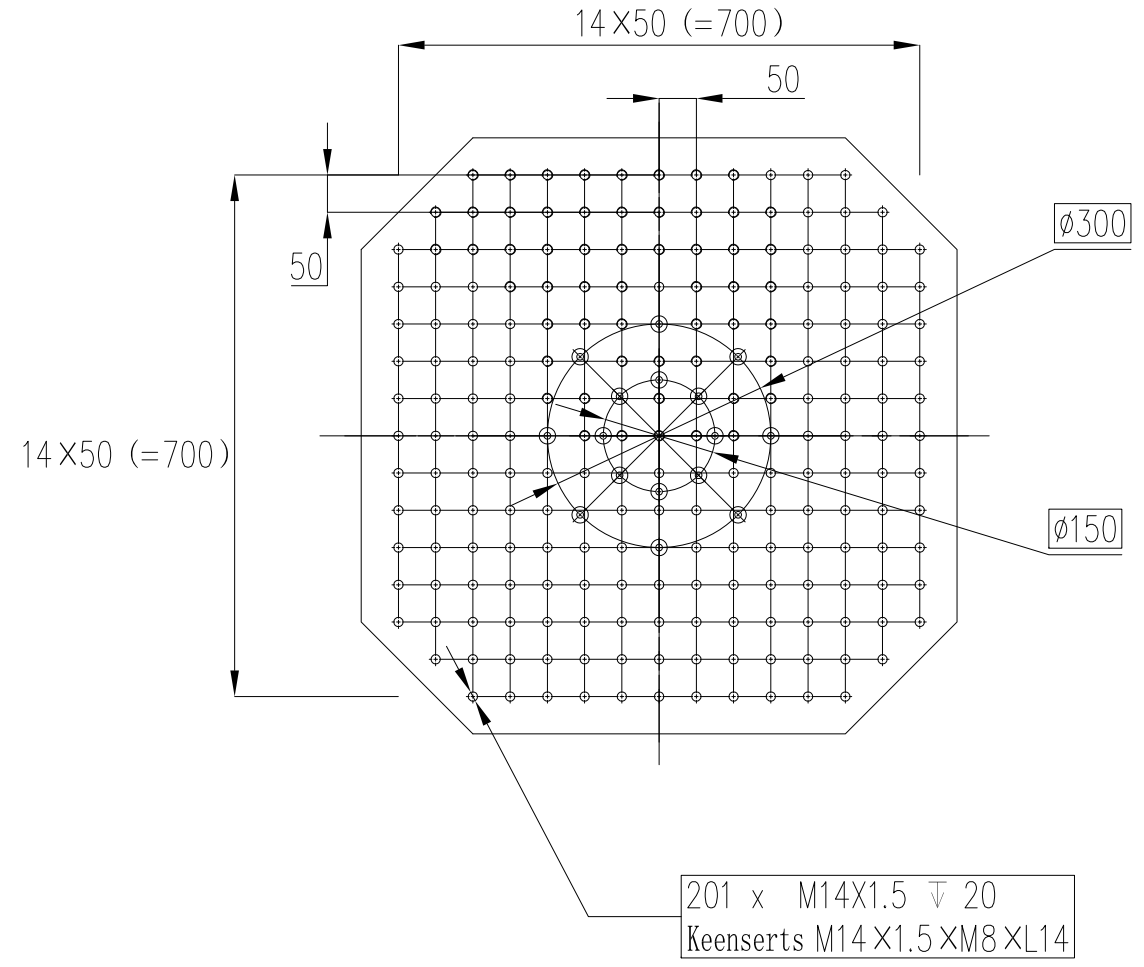
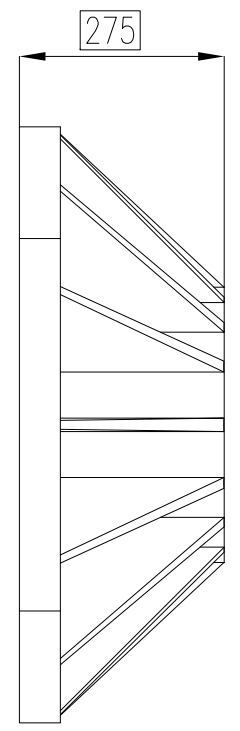
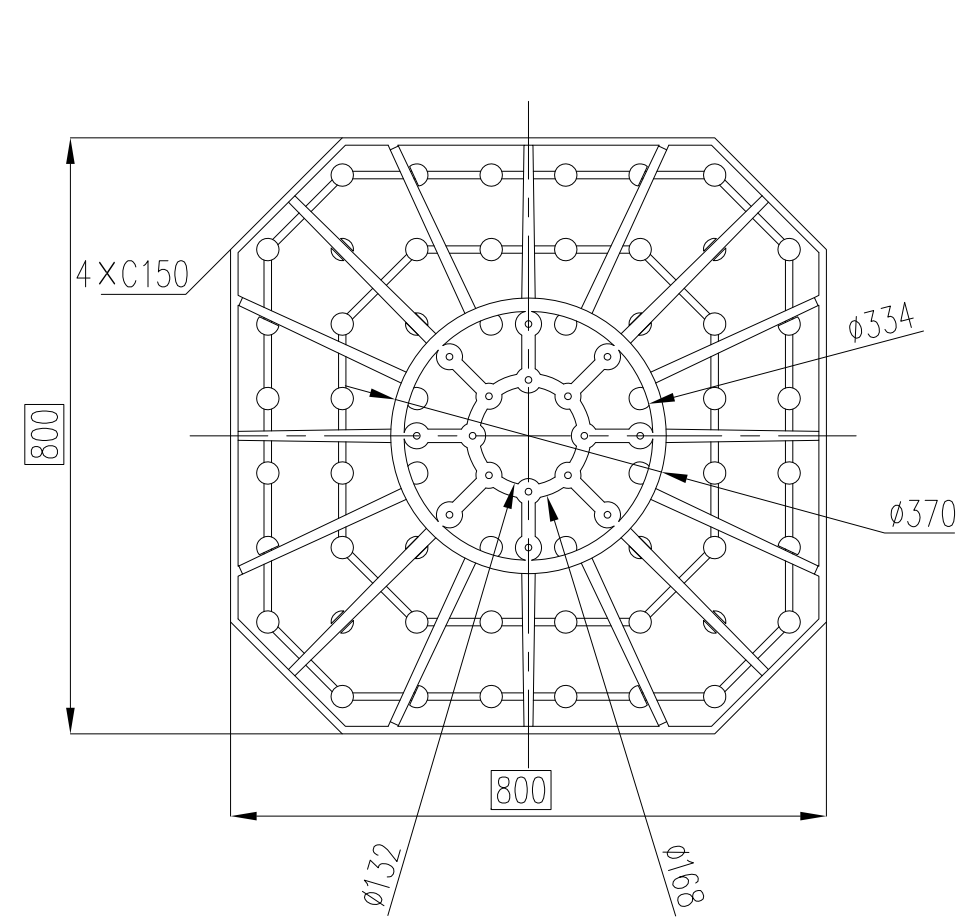


A-A




201 x M14X1.5  $\nabla$  20  
Keenserts M14X1.5XM8 XL14

Material	Al
Height	275mm
Weight	150Kg est
Resonance Freq.	1150Hz est
Usable Freq.	5~2000 Hz

NOTES:  
1) THIS DRAWING IS THE PROPERTY OF ETS SOLUTIONS AND MUST NOT BE LENT OR COPIED WITHOUT OUR EXPRESS PERMISSION IN WRITING.  
2) WITH CONSTANT PRODUCT IMPROVEMENT, PRODUCT SPECIFICATIONS MAY BE CHANGED WITHOUT NOTICE.

Designed by	Checked by	Approved by	Date	Scale
YDY	ZQ	LJ	20190814	


 Title: ETS-HE800SQA-370 Head Expander Outline  
 Drawing Number: \_\_\_\_\_ Edition: A Sheet: 1/1

