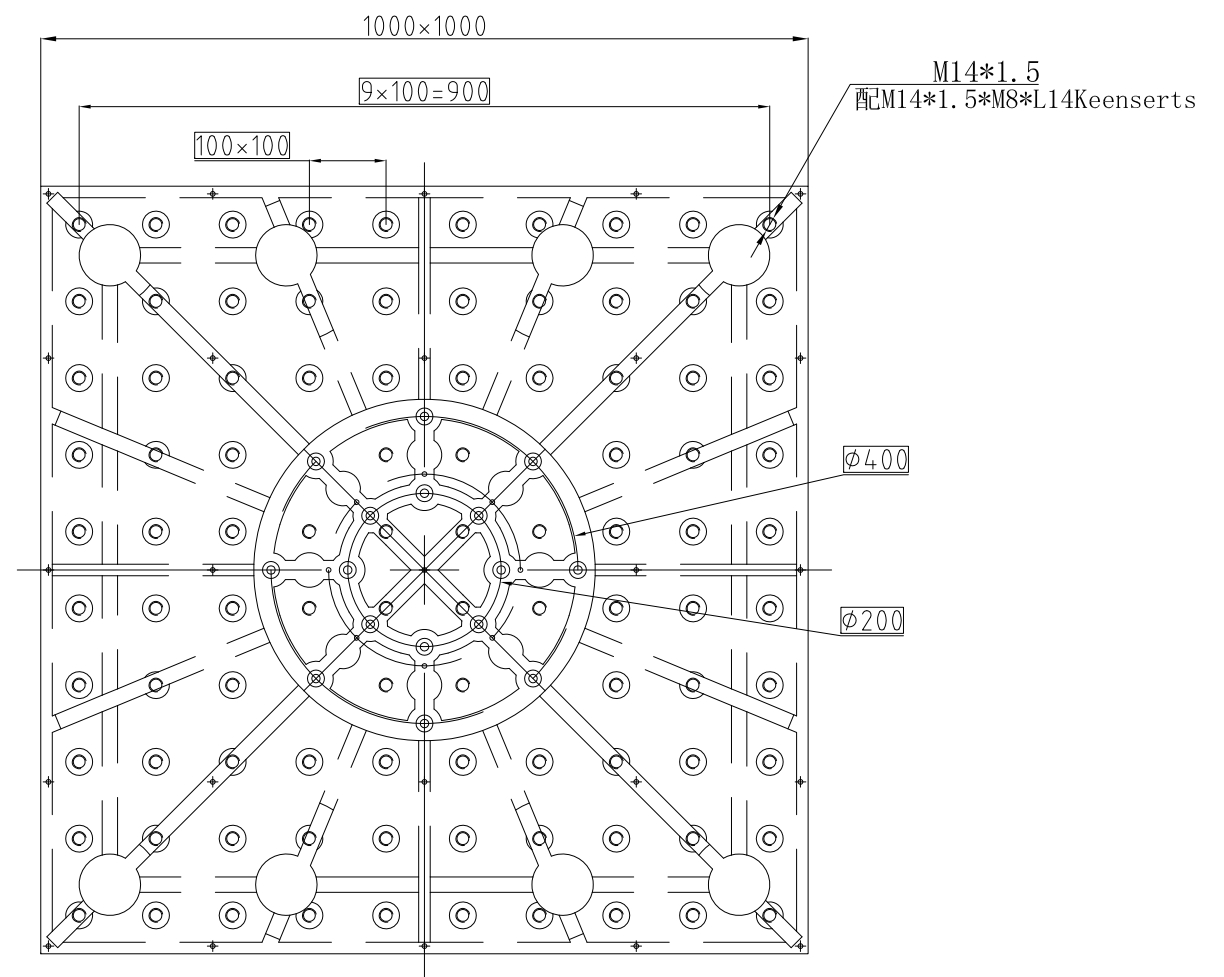
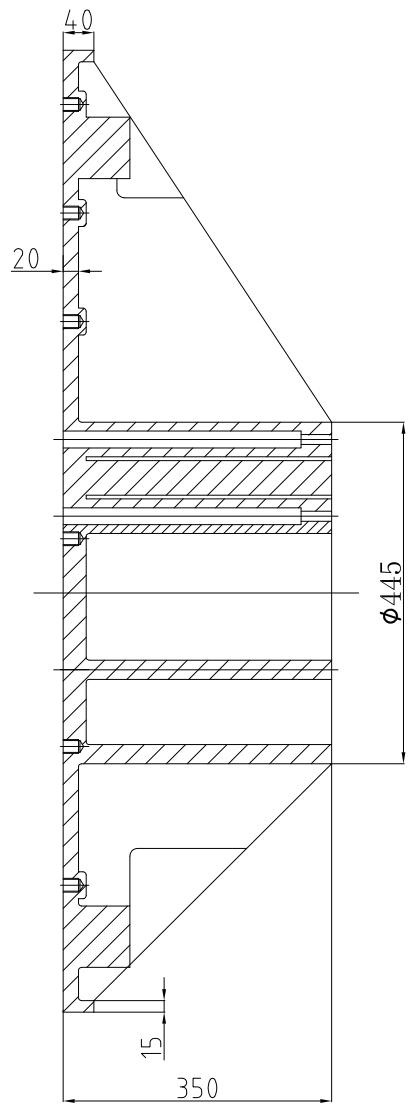
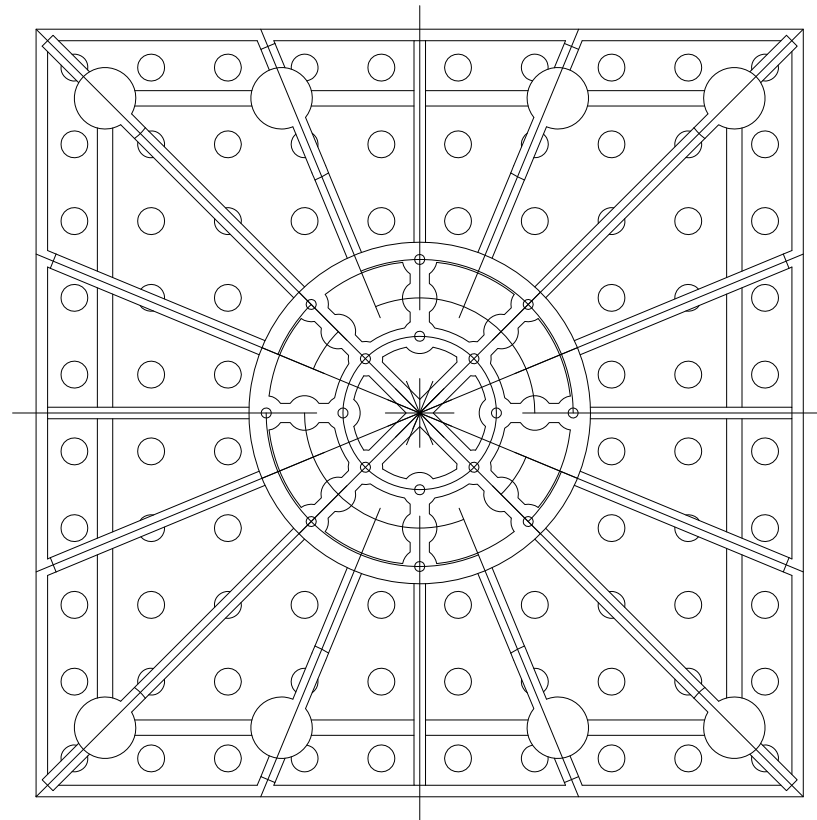


A
B
C
D
E
F

A
B
C
D
E
F



Material	Mg
Height	350mm
Weight	165kg est
Resonance Freq.	560Hz est
Usable Freq.	2000±10%Hz

NOTES:
 1) THIS DRAWING IS THE PROPERTY OF ETS SOLUTIONS AND MUST NOT BE LENT OR COPIED WITHOUT OUR EXPRESS PERMISSION IN WRITING.
 2) WITH CONSTANT PRODUCT IMPROVEMENT, PRODUCT SPECIFICATIONS MAY BE CHANGED WITHOUT NOTICE.

Designed by LYJ	Checked by ZQ	Approved by LJ	Date 20211207	Scale NA
			Title: ETS-HE1000SQM-445 Head Expander Outline	
Drawing Number:			Edition D	Sheet 1/1